

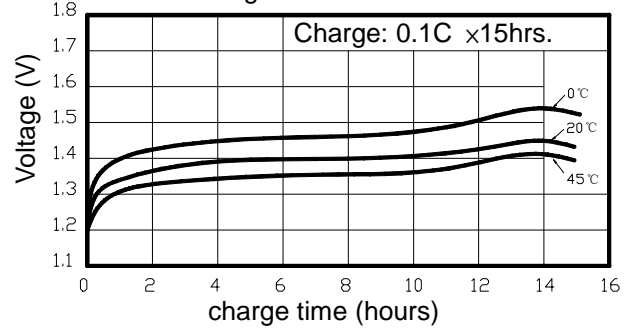
Type : **HP28A1500P**

Specifications of single cell

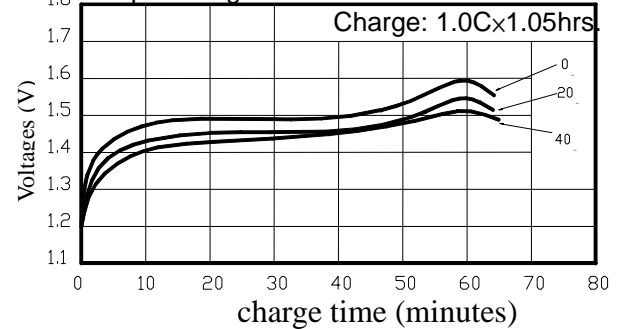
Nominal voltage		1.2V	
Capacity		0.2C Discharge	10C Discharge
	Minimum	275min	4.7min
	Typical	280min	5.1min
尺寸 Dimensions		mm	
	Diameter	17.0 <sup>-0.7</sup>	
	Height	28.5 <sup>-1.0</sup>	
Weight(Approximately)		克 gram	
		22	
Internal Impedance At 1000 Hz		15mΩ(Max) ( After Charge )	
Charge	Standard	150mA(0.1C)×15hrs	
	Rapid	1500mA(1.0C)×1.05hrs	
Ambient temperature	Charge		°C
		standard	0°C to 45°C
	Rapid	0°C to 40°C	
	Discharge	-20°C to 50°C	
	Storage	-20°C to 40°C	

Typical characteristics

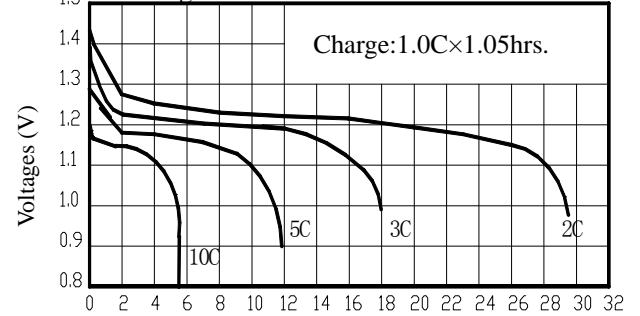
Standard charge characteristics



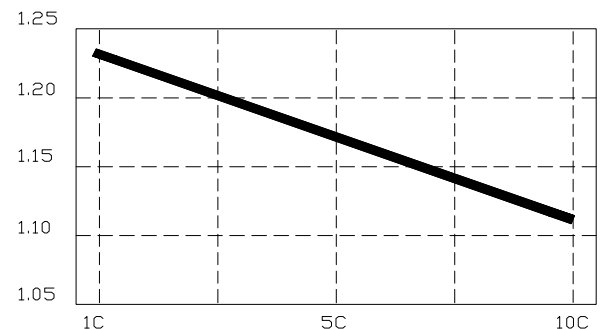
Rapid charge characteristics



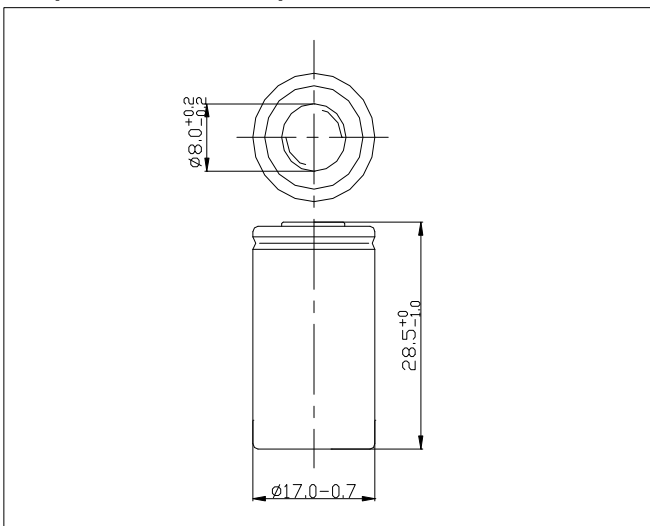
Discharge characteristics



MPV(V) Discharge capacity (min)



PVC (Dimensions with tube) (mm)



备注 Note:

Nominal capacity, rated at 0.2C 20°C.

Average capacity, for reference only.

Weight and internal impedance are For reference.

Standard according as IEC of test cycle life °